



CAPS non-threaded

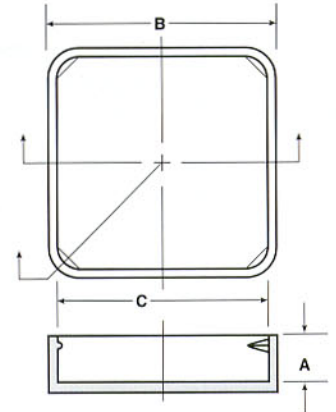
FF Series Caps for Flanged and Flange-Mounted Fittings



Available in square, hexagonal, and triangular shapes, Series FF can be used with a variety of flanged and flange-mounted fittings. They effectively seal dirt out of the fitting and protect the flange surface against nicks and scratches. When fittings are provided with slip-on flanges, Series FF Caps keep the assemblies intact during handling and shipping.



MATERIAL: Low Density Polyethylene
COLOR*: Red

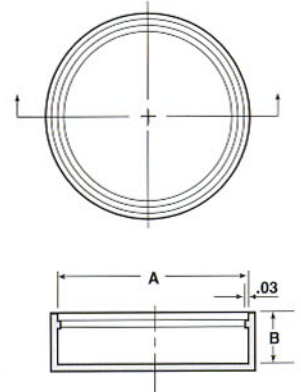


HSF Series Caps for High Pressure Split-Flange Connections

Series HSF Caps are designed to protect high pressure split-flange hydraulic connections. These caps push on easily and fit securely with an internal bead providing a positive locking grip.



MATERIAL: Low Density Polyethylene
COLOR*: Natural

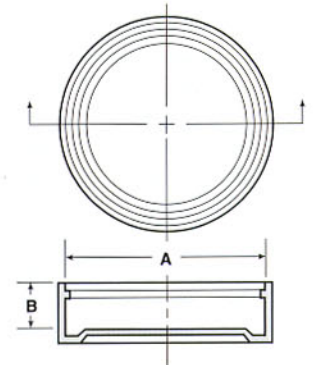


SF Series Caps for Split-Flange Connections

Series SF Caps and Covers are designed to protect four-bolt split-flange connections. Series SF Caps push on easily and fit securely with an internal bead providing a positive locking grip. Because the SF Cap is made of natural, translucent polyethylene, the O-ring remains visible even after the closure is applied.



MATERIAL: Low Density Polyethylene
COLOR*: Natural



EXPANDED



FF Series

Caplug No.	Dimensions								Packaging				Caplug No.
	Shape	To Fit Nominal Flange Size	A		B		C		Standard Carton		Mini Pak Quantity		
			in	mm	in	mm	in	mm	Shipping Wt. (Approx.) lbs	kgs		No. of Pieces	
FF-26	Square	AN-756-12	.37	9.39	1.68	42.67	1.62	41.14	8	3.6	1000	200	FF-26
FF-28	Square	AN-756-16	.36	9.14	1.84	46.73	1.78	45.21	9	4.0	1000	200	FF-28
FF-32	Square	-	.34	8.63	2.11	53.59	2.05	52.07	12	5.4	1000	200	FF-32
FF-35	Square	AN-756-20	.37	9.39	2.28	57.91	2.22	56.38	7	3.1	500	100	FF-35
FF-38	Square	AN-756-24	.41	10.41	2.49	63.24	2.40	60.96	8	3.6	500	100	FF-38
FF-41	Square	MS-9244-32	.44	11.17	2.65	67.31	2.59	65.78	8	3.6	500	100	FF-41
FF-48	Square	AN-756-32	.42	10.66	3.09	78.48	3.03	76.96	11	4.9	500	100	FF-48
FF-39	Triangle	MS-9233-24	.44	11.17	-	-	-	-	7	3.1	500	100	FF-39
FF-64	Hex	AN-756-40	.43	10.92	-	-	-	-	12	5.4	250	50	FF-64
FF-72	Hex	AN-756-48	.43	10.92	-	-	-	-	14	6.3	250	50	FF-72

HSF Series

Caplug No.	Dimensions					Packaging				Caplug No.
	To Fit Nominal Flange Size	A		B		Standard Carton		Mini Pak Quantity		
		in	mm	in	mm	Shipping Wt. (Approx) lbs	kgs		No. of Pieces	
HSF-8	1/2	1.28	32.5	.51	13.0	11	4.9	3000	600	HSF-8
HSF-12	3/4	1.66	42.2	.55	14.0	14	6.3	2000	400	HSF-12
HSF-16	1	1.90	48.3	.58	14.7	9	4.0	1000	200	HSF-16
HSF-20	1 1/4	2.16	54.9	.61	15.5	11	4.9	1000	200	HSF-20
HSF-24	1 1/2	2.53	64.3	.70	19.6	12	5.4	800	160	HSF-24
HSF-32	2	3.16	80.3	.70	19.6	10	4.5	500	100	HSF-32

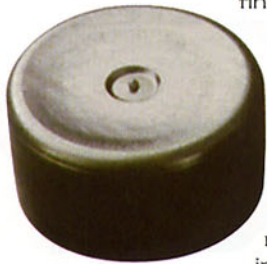
SF Series

Caplug No.	Dimensions						Packaging				Caplug No.
	To Fit Nominal Flange Size	To Fit Ferrule Size	A		B		Standard Carton		Mini Pak Quantity		
			in	mm	in	mm	Shipping Wt. (Approx) lbs	kgs		No. of Pieces	
SF-7	-	1/2, 3/4	1.02	25.91	.34	8.64	14	6.4	5000	1000	SF-7
SF-8	1/2	-	1.19	30.23	.39	9.91	11	4.9	2500	500	SF-8
SF-10	5/8	-	1.35	34.29	.39	9.91	14	6.3	2500	500	SF-10
SF-12	3/4	-	1.50	38.10	.39	9.91	15	6.8	2500	500	SF-12
SF-16	1	-	1.75	44.45	.44	11.18	19	8.6	2500	500	SF-16
SF-20	1 1/4	-	2.00	50.80	.44	11.18	10	4.5	1000	200	SF-20
SF-24	1 1/2	-	2.38	60.45	.44	11.18	13	5.8	1000	200	SF-24
SF-28	-	2	2.53	64.26	.32	8.13	11	5.0	1000	200	SF-28
SF-32	2	-	2.81	71.38	.50	12.70	16	7.2	1000	200	SF-32
SF-36	-	2 1/2	3.06	77.72	.32	8.13	13	5.9	900	180	SF-36
SF-40	2 1/2	-	3.31	84.08	.50	12.70	13	5.8	500	100	SF-40
SF-44	-	3	3.59	91.19	.32	8.13	12	5.4	600	120	SF-44
SF-48	3	-	4.00	101.60	.50	12.70	18	8.2	500	100	SF-48
SF-64	-	4	4.68	118.87	.34	8.64	14	6.4	400	80	SF-64



CAPS non-threaded

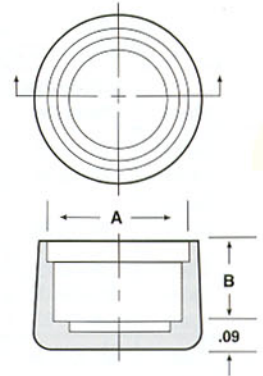
FCR Series Finishing Caps for Round Tubing



Series FCR Caplugs are used for finishing ends of round tubing on numerous products such as furniture, lawn and garden equipment, tools and appliances. Heavy wall construction makes them ideal also for threaded connections where extra protection is required. Designed for easy installation, they seat with a firm grip that prevents accidental removal.

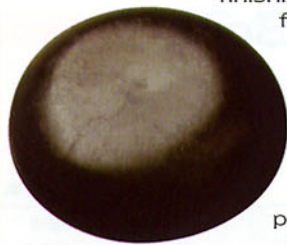


MATERIAL: Low Density Polyethylene
COLOR: Black

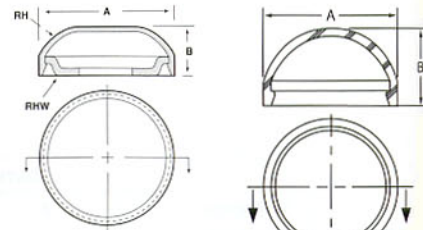


RH Series Finishing Caps for Raised Head Screws

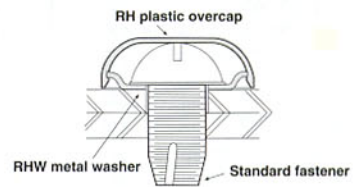
Series RH Caplugs are combination finishing and protective caps for raised head screws. Plastic overcap snaps over a flanged steel washer, replacing conventional washer. Adding attractive finish to protruding screw heads, it also provides dual protection by preventing injury to personnel scraping against steel-sharp fastener edges and by keeping screw head slots free of foreign matter and paint.



MATERIAL: Low Density Polyethylene (washer – steel, zinc plate)
COLOR: Black or White (White available in standard carton only.)



RH-10-DOME only



SCREW SIZE	#4	#6	#8	#8	#10	#12	1/4"	5/16"	3/8"	7/16"	1/2"
RH CAP NO.	-06			-10, -10 Dome			-20				
Round	-061	-062	-063	-102	-103	-104	-203	-204	-205	-206	-207
Pan	-061	-062	-063	-102	-103	-104	-203	-204	-205	-	-
Fillister	-061	-062	-	-102	-103	-	-203	-204	-	-	-
Truss	-061	-062	-	-102	-103	-	-203	-204	-205	-	-
Binding	-061	-062	-	-102	-103	-104	-203	-204	-205	-	-
Hex	-061	-062	-063	-102	-103	-104	-105 -203	-204	-205	-206	-207

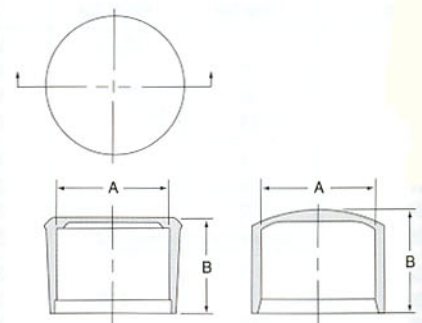
NOTE: When ordering, select the RH Cap and the RHW Washer for your size screw. Order as two separate items.

COF Series Caps for Round Tubing and Rods

Series COF Round Caps make economical, attractive glides for everything from household and patio furniture to office chairs and tables, and from utility carts to exercise equipment. As finishing caps for both rods and tubing, they cover any scratches, burrs or distortions that may result from cutting operations. And they also provide protection against injury from sharp rod and tubing edges.



MATERIAL: Low Density Polyethylene
COLOR: Black



COF-7/8-DOME only

EXPANDED

NEW SIZES



FCR Series

Caplug No.	Dimensions				Packaging				Caplug No.
	A		B		Standard Carton		Mini Pak Quantity		
	in	mm	in	mm	Shipping Wt.(Approx)			No. of Pieces	
				lbs	kgs				
FCR-12	.75	19.05	.50	12.70	17	7.6	5000	1000	FCR-12
FCR-14	.88	22.35	.50	12.70	11	4.9	2500	500	FCR-14
FCR-16	1.00	25.40	.50	12.70	14	6.3	2500	500	FCR-16
FCR-18	1.13	28.70	.62	15.75	19	8.6	2500	500	FCR-18
FCR-20	1.25	31.75	.62	15.75	20	9.0	2500	500	FCR-20

RH Series

Caplug No.	Screw Size†	Dimensions				Packaging				Caplug No.
		A		B		Standard Carton		Mini Pak Quantity		
		in	mm	in	mm	Shipping Wt.(Approx)			No. of Pieces	
						lbs	kgs			
RH-06	4, 6, 8	.48	12.19	.15	3.81	2	0.9	5000	1000	RH-06
<i>The following metal washers are for use with RH-06</i>										
RHW-061	4	-	-	-	-	4	1.8	5000	1000	RHW-061
RHW-062	6	-	-	-	-	4	1.8	5000	1000	RHW-062
RHW-063	8	-	-	-	-	4	1.8	5000	1000	RHW-063
RH-10	8, 10, 12, 1/4	.71	18.03	.21	5.33	6	2.7	5000	1000	RH-10
RH-10-Dome	8, 10, 12, 1/4	.71	18.03	.41	10.41	8	3.6	5000	1000	RH-10-Dome
<i>The following metal washers are for use with RH-10 and RH-10 Dome</i>										
RHW-102	8	-	-	-	-	12	5.4	5000	1000	RHW-102
RHW-103	10	-	-	-	-	11	4.9	5000	1000	RHW-103
RHW-104	12	-	-	-	-	11	4.9	5000	1000	RHW-104
RHW-105	1/4	-	-	-	-	11	4.9	5000	1000	RHW-105
RH-20	1/4, 5/16, 3/8, 7/16, 1/2	1.19	30.23	.37	9.40	8	3.6	2000	400	RH-20
<i>The following metal washers are for use with RH-20</i>										
RHW-202	10	-	-	-	-	14	6.3	2000	400	RHW-202
RHW-203	1/4	-	-	-	-	14	6.3	2000	400	RHW-203
RHW-204	5/16	-	-	-	-	14	6.3	2000	400	RHW-204
RHW-205	3/8	-	-	-	-	14	6.3	2000	400	RHW-205
RHW-206	7/16	-	-	-	-	14	6.3	2000	400	RHW-206
RHW-207	1/2	-	-	-	-	12	5.4	2000	400	RHW-207

† Designed to cover American Standard Slotted Round Head, American Standard Pan Head and American Standard Socket Button Head.

COF Series

Caplug No.	Dimensions				Packaging				Caplug No.
	A		B		Standard Carton		Mini Pak Quantity		
	in	mm	in	mm	Shipping Wt.(Approx)			No. of Pieces	
						lbs	kgs		
COF-1/4	0.250	6.35	0.46	12	10	4.7	10000	1000	COF-1/4
COF-3/8	0.375	9.53	0.46	12	15	6.9	10000	1000	COF-3/8
COF-1/2	0.500	12.70	0.59	15	28	12.9	7000	1000	COF-1/2
COF-5/8	0.625	15.88	0.59	15	18	8.2	5000	1000	COF-5/8
COF-3/4	0.750	19.05	0.71	18	20	9.2	4000	800	COF-3/4
COF-7/8	0.875	22.23	0.71	18	16	7.2	2500	500	COF-7/8
COF-7/8-Dome	0.875	22.23	0.84	21	15	6.9	2500	500	COF-7/8-Dome
COF-1	1.000	25.40	0.85	22	14	6.4	1500	300	COF-1
COF-1-1/8	1.125	28.58	0.85	22	13	5.9	1200	300	COF-1-1/8
COF-1-1/4	1.250	31.75	0.98	25	14	6.4	1000	200	COF-1-1/4
COF-1-1/2	1.500	38.10	0.98	25	9	4.0	500	100	COF-1-1/2
COF-1-3/4	1.750	44.45	1.10	28	12	5.3	500	100	COF-1-3/4



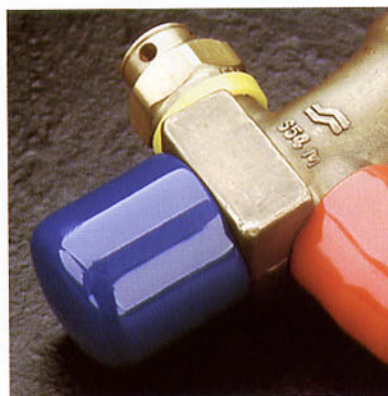
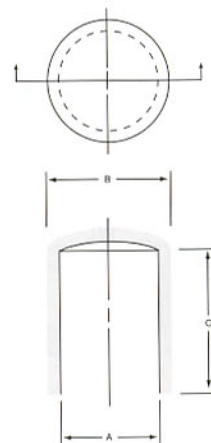
VC Series Round Vinyl Caps

Series VC Caplugs are extremely flexible and durable protective closures which are ideal for use as thread protectors, dust and moisture seals, pipe and stud end color coding, and for masking during painting or plating operations.



MATERIAL: Vinyl
COLORS*: White, Black, Brown, Orange, Red, Green, Grey, Blue, Yellow – Call factory for colors in stock

AVAILABILITY: Consult Factory



Note:

- VC-054 has a maximum length of .750".
- VC-062 has a maximum length of 1.25".
- VC-080 through VC-125 have a maximum length of 1.5".
- VC-140 through VC-250 have a maximum length of 2".
- VC-281 through VC-21000 have various maximum lengths of up to 8". Call factory for details.

EXPANDED